

FACULTY OF ENGINEERING

B.E. 2/4 (Mech/Prod) I – Semester (Main) Examination, November / December 2012

Subject: Machine Drawing

Time: 3 Hours

Max.Marks : 75

Note: Answer all questions from Part – A and Part – B. Assume any missing data suitably.

PART – A (25 Marks)

1. What are the various rules followed while sectioning a component. (3)
2. Draw sectional front view and side view of a compression type muff coupling used to join two shafts of 50 mm diameter each. Mention all the important dimensions. (6)
3. Two orthographic views are given in Fig. (1), reproduce the given views and draw the required third view. (5)

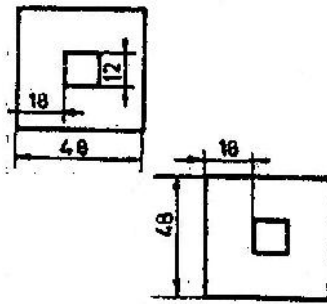


Fig. 1

4. For the component given in Fig. (2), draw (i) Front view (ii) Top view (iii) Right side view (iv) Left side view (6)
5. State different types of foundation bolts and sketch any one type of foundation bolt. (5)

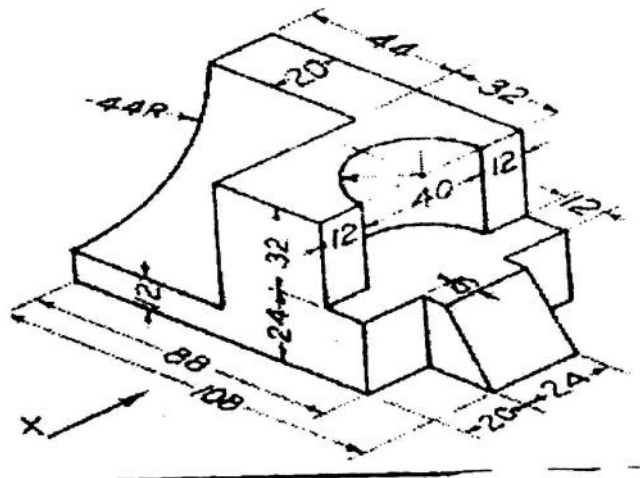


Fig. 2

PART – B (50 Marks)

- 6.(a) Assemble all parts of the Tool Post given in Fig. (3) and draw
 - (i) Sectional front view with the section plane passing through the vertical slot in the body (25)
 - (ii) Right side view (15)
 - (iii) Top view (10)

-2-

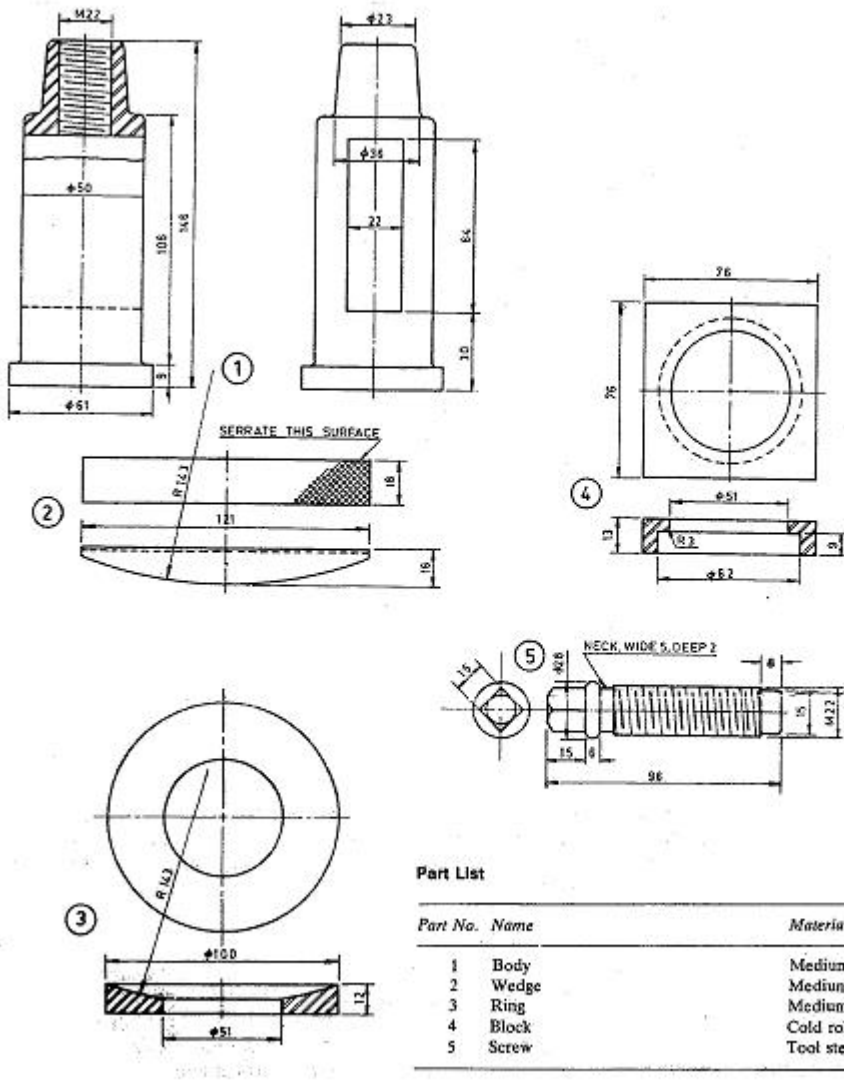


Fig. 3
