

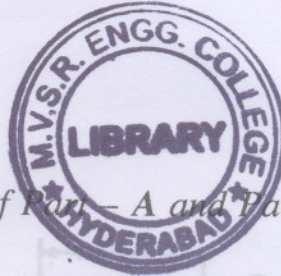
FACULTY OF ENGINEERING

B.E. 2/4 (M/P) I Semester (Main) Examination, December 2010

MACHINE DRAWING

Time : 3 Hours]

[Max. Marks : 75

Note : Answer all questions of Part - A and Part - B.

PART - A

(25 Marks)

1. Sketch with free hand, a sectional front view and top view of a single revetted lap joint for two 10 mm thick plates.
2. Sketch with free hand, universal coupling for 40 mm diameter of shaft (only front view).
3. Draw the (i) Sectional front view and ii) Sectional top view of the component as shown in figure below.

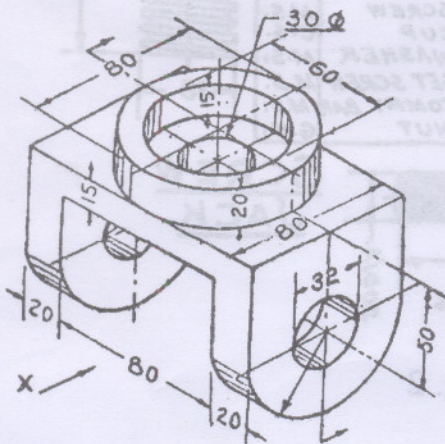


Fig. 1



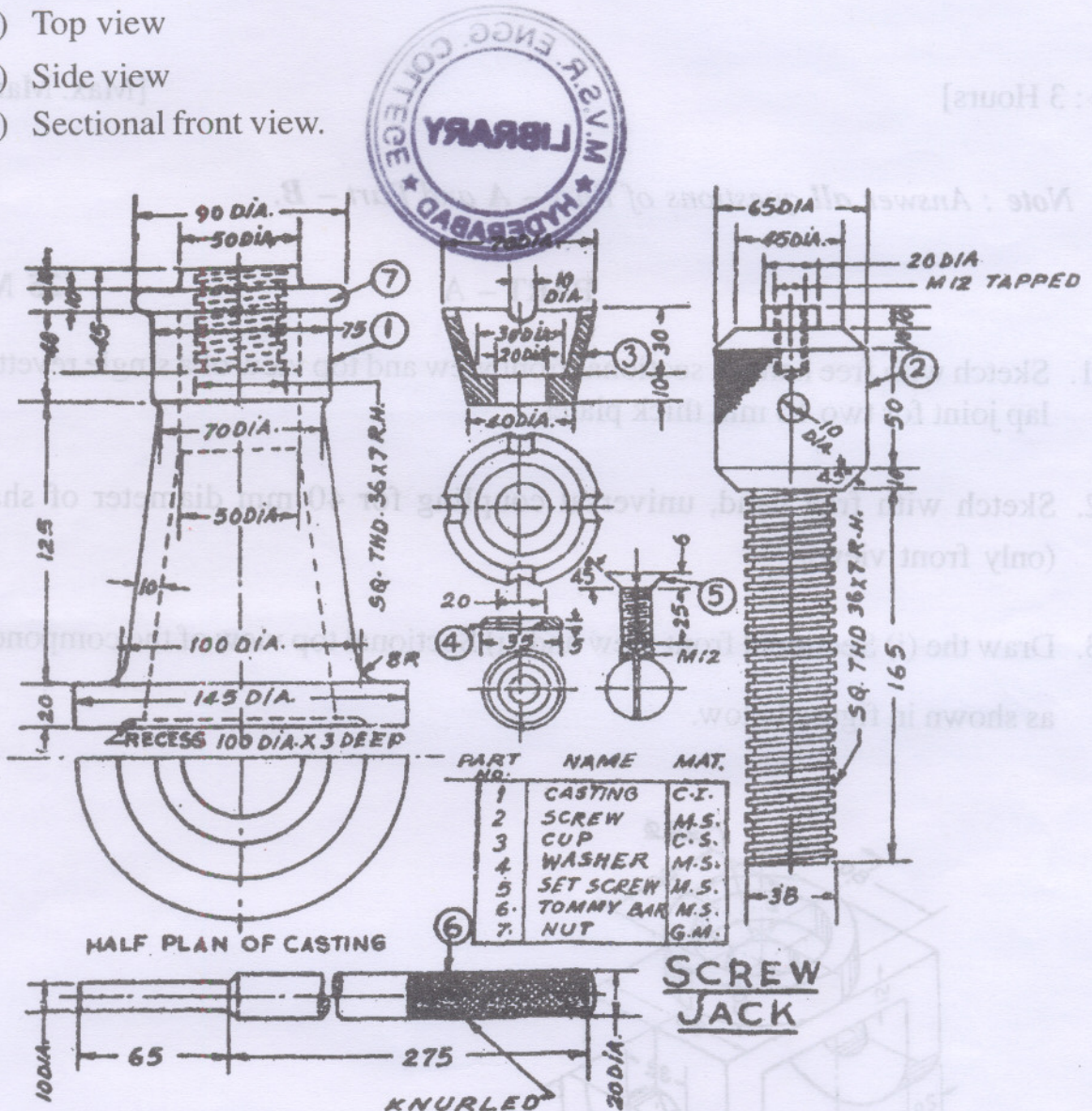
PART - B

(50 Marks)

4. Assemble all the components shown in figure 2 to form screw jack and draw

- i) Top view
- ii) Side view
- iii) Sectional front view.

15
15
20



SCREW JACK

Fig. 2