

FACULTY OF ENGINEERING

B.E. 2/4 (M/P/AE) I – Semester (Main) Examination, November 2013

Subject: Machine Drawing

Time: 3 Hours

Max. Marks: 75

Note: Answer all questions from Part A & B.

PART – A (25 Marks)

1. Draw the half sectional front view and side view of a flexible coupling having shaft diameter is 45 mm. (5)
2. Draw the sectional front view, side view from the left and top view as shown figure below. (5)

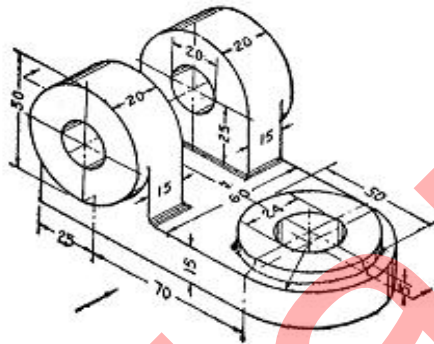


Figure 1

3. Draw the sectional front view, top view and triple riveted lap joint for 15 mm thick plates. (5)
4. Explain with aid of sketches, flat saddle key, sink key with gib head. (5)
5. Draw three views of a hexagonal nut for a 24 mm diameter bolt, according to standard dimensions. (5)

PART – B (50 Marks)

6. A member all parts of the swivel bearing shown figure below as draw. 1 Half sectoral front view, with right half in section. 2. Top view.