

## FACULTY OF ENGINEERING

B.E. 2/4 (M/P/AE) I – Semester (Supplementary) Examination, July 2014

Subject : Machine Drawing

Time : 3 hours

Max. Marks : 75

**Note: Answer all questions from Part-A and Part-B.  
Assume any missing data suitably and mention clearly.**

## PART – A

- 1 With help of neat sketch, define functional dimension, non-functional dimension, redundant dimension and datum dimension. 5
- 2 Draw the front view and top view as shown in figure.1 5
- 3 Draw two views of the double riveted butt joint by taking  $t = 10\text{mm}$ ,  $d = 20\text{mm}$  5
- 4 Sketch two views of a knuckle joint for connecting two 40mm diameter rods. 5
- 5 Sketch a pin type flexible coupling. 5

## PART – B

- 6 Assemble all parts of the swivel bearing as shown in figure 2 and draw
  - i) Half sectional front view with right half section 20
  - ii) Half sectional left side view with right half section 20
  - iii) Top view 10

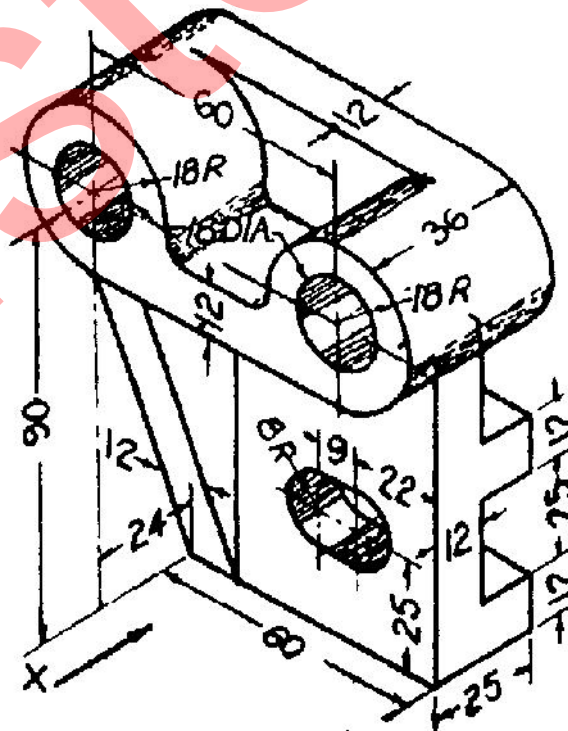
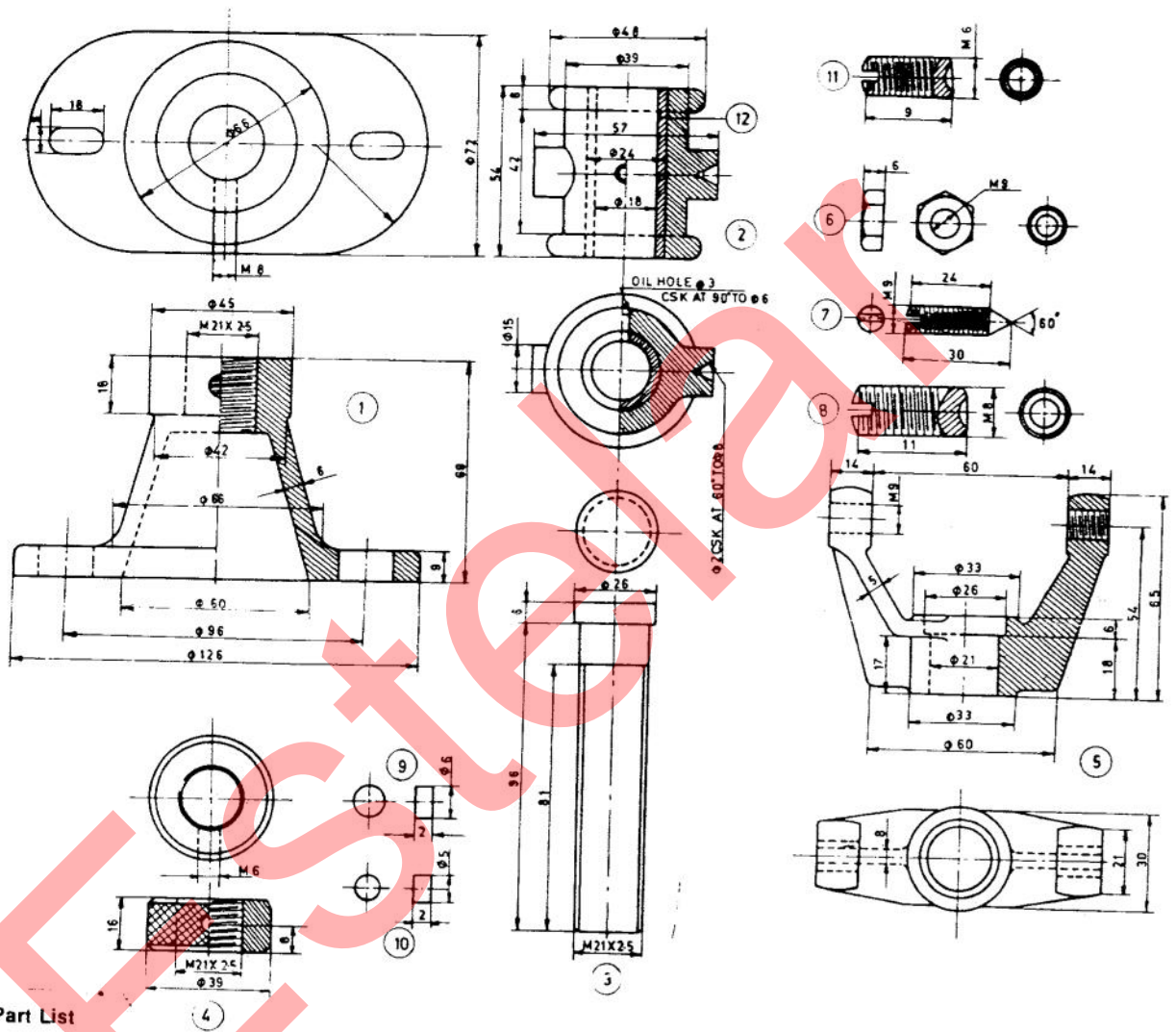


Figure 1



Part List

Part No.	Name	Material	Quantity
1	Casting	C.I.	1
2	Bearing	C.I.	1
3	Spindle	M.S.	1
4	Lock-nut	M.S.	1
5	Fork	Cast steel	1
6	Nut	M.S.	1
7	Set screw	M.S.	2
8	Set screw	M.S.	2
9	Disc	Brass	1
10	Disc	Brass	1
11	Set screw	M.S.	1
12	Bush	Brass	1

\*\*\*\*\*